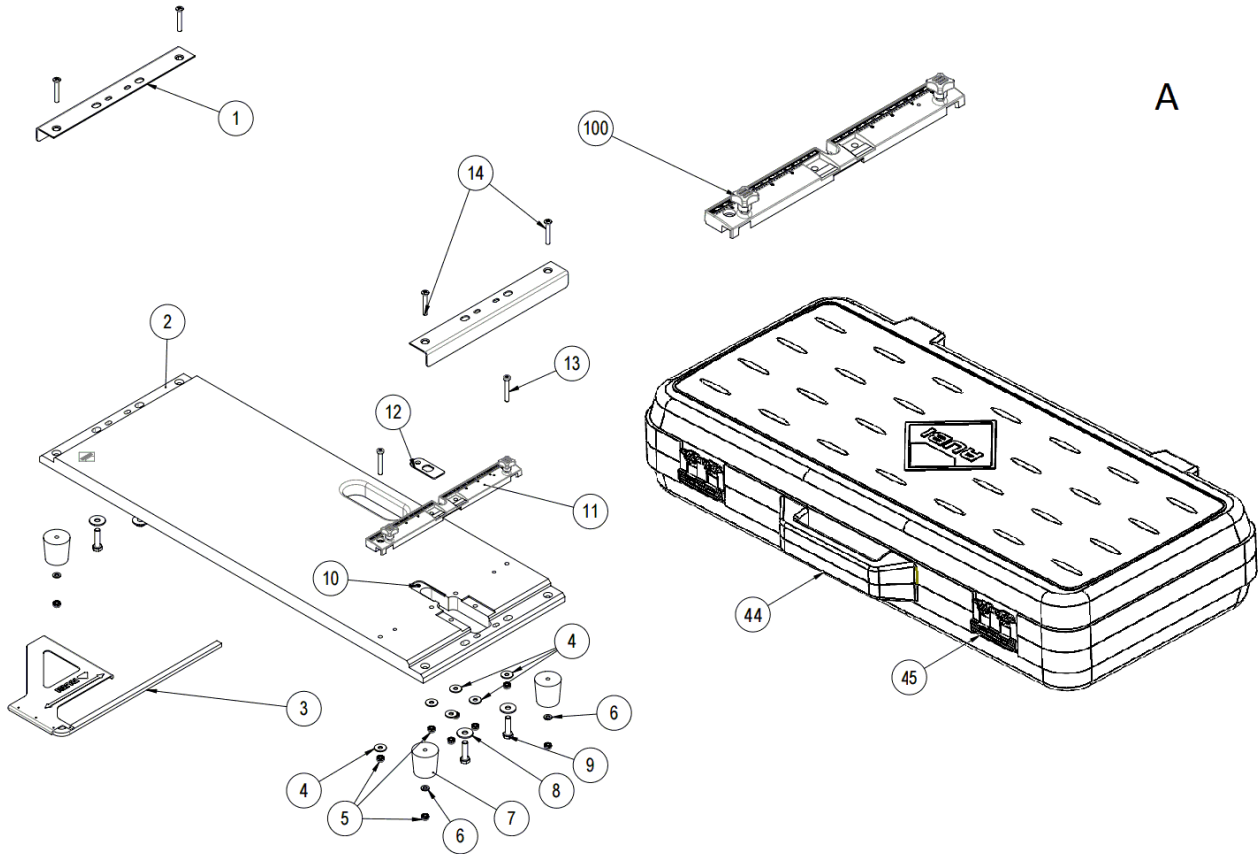


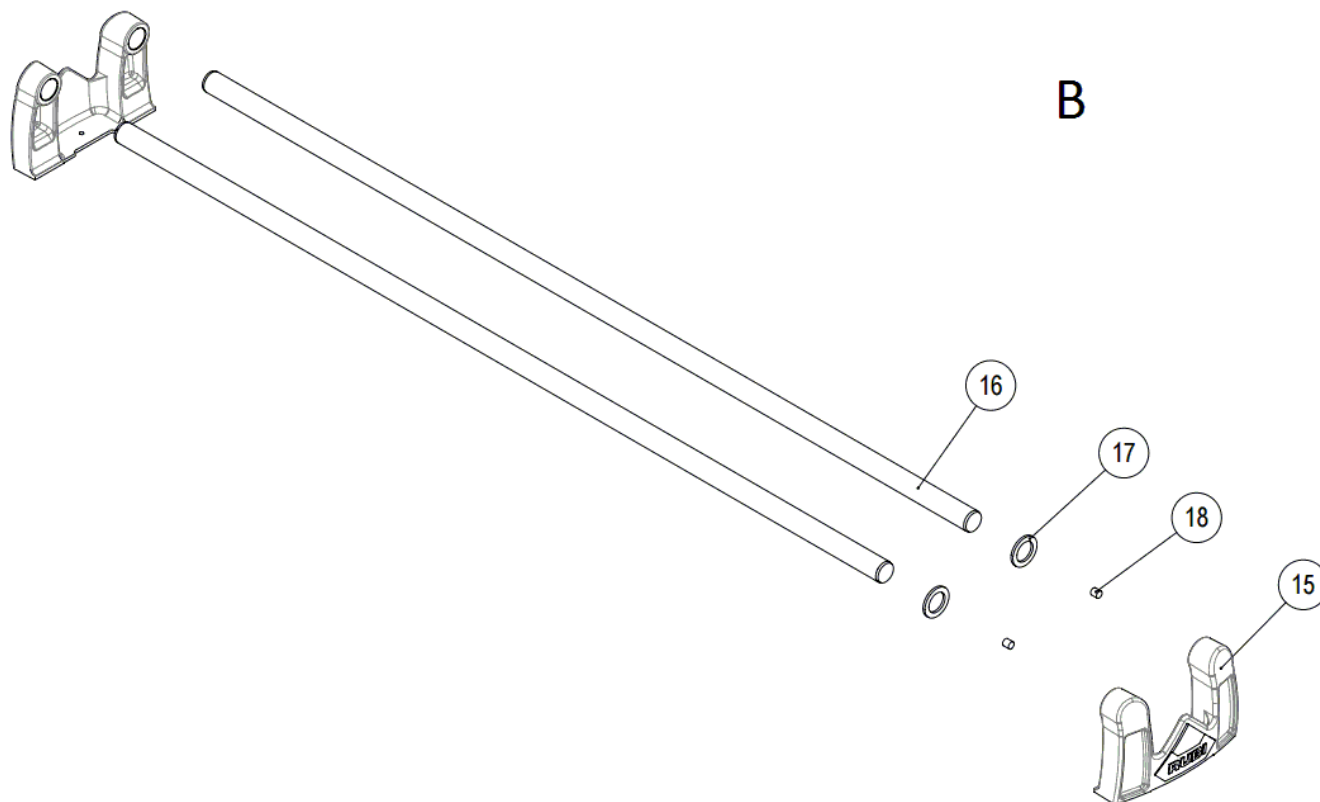
Part-list	ES	EN	Prod.
1	A	GRUPO BASE	BASE GROUP
2	B	GRUPO GUIAS Y SOPORTES	GUIDE AND SUPPORT GROUP
3	C	GRUPO PORTHERRAMIENTAS Y CORREDERAS	TOOLHOLDER AND SLIDER GROUP
4	D	GRUPO SEPARADOR	BREAKER GROUP

Prod.	ES	EN	From serial num.
15930	TF-66 MAX -CORTADOR MANUAL	TF-66 MAX	500
15931	TF-66 MAX CON MALETA -CORTADOR MAN.	TF-66 MAX WITH CASE	500
15932	TF-93 MAX -CORTADOR MANUAL	TF-93 MAX	500

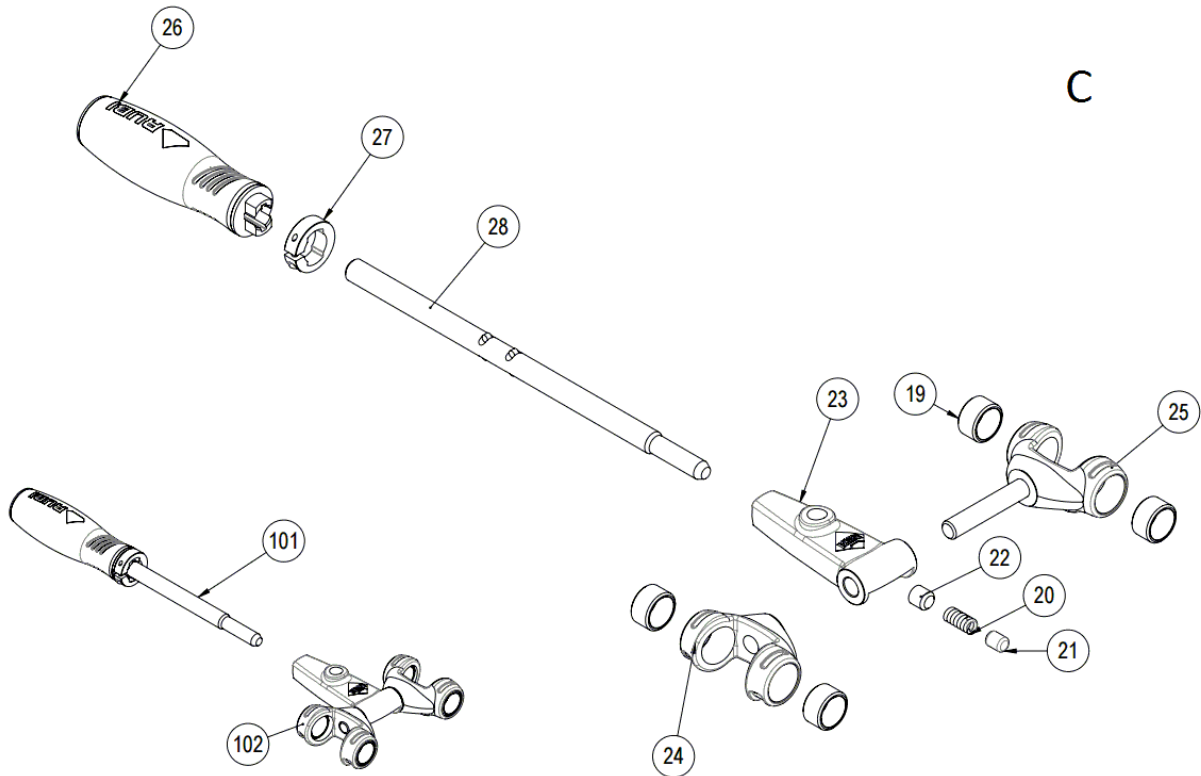
Queda reservado el derecho de introducir cualquier modificación técnica sin previo aviso  
 We reserve the right to introduce any technical modification without previous notice



Part-list	ES	EN	Prod.	
1	15851 2	REFUERZO BASE TF-60 V4	REINFORCEMENT BASE TF-60 V4	
2	15854 1	BASE TF-90 V4	BASE TF-90 V4	15932
2	15853 1	BASE TF-60 V4	BASE TF-60 V4	15930, 15931
3	15749 1	TOPE LATERAL TS-60/70 V2	SIDE STOP TS-60/70 V2	
4	45038 6	ARAND DIN 9021 A6,4 ZN	WASHER DIN 9021 A6,4 ZP	
5	40020 10	TUERCA DIN 985 M6 CL8 ZN AUTOBLOC	HEX LOCK NUT DIN 985 M6 CL8 ZP	
6	25177 4	ARAND DIN 125 A6,5 8.8 ZN	WASHER DIN 125 M6 8.8 ZP	
7	15769 4	PIE DE GOMA 40-40X66	RUBBER SHOE 40-40X66	
8	55047 4	ARAND DIN 9021 A8,4 ZN	WASHER DIN 9021 A8,4 ZP	
9	57039 4	TORN DIN 933 M8X30 6.8	SCREW DIN 933 M8X30 6.8 ZP	
10	15792 1	TORN SPAX 3,5X19 ZN	SCREW SPAX 3,5X19 ZP	
11	15839 1	CJ.ESCUADRA TS-60/70 MAX	SQUARE SET FOR TS-60/70 MAX	
12	15763 1	PLACA BASE TF-40/60	BASE PLANK TF-40/60	
13	15781 2	TORN DIN 7984 M6X40 6.8 ZN	SCREW DIN 7984 M6X40 6.8 ZP	
14	15791 4	TORN DIN 966 M6X40 6.8 ZN	SCREW DIN 966 M6X40 6.8 ZP	
44	15242 1	MALETA TF-60/R V2	CASE TF-60/R V2	15931
45	15761 2	CIERRE MALETA 89X54 TS50/60,TR, TM,TX	PLASTIC LATCH 89X54 (TS50/60,TR, TM,TX)	15931
100	17021 2	COM.POMO M6X10 ROJO	RED KNOB SET M6X10	

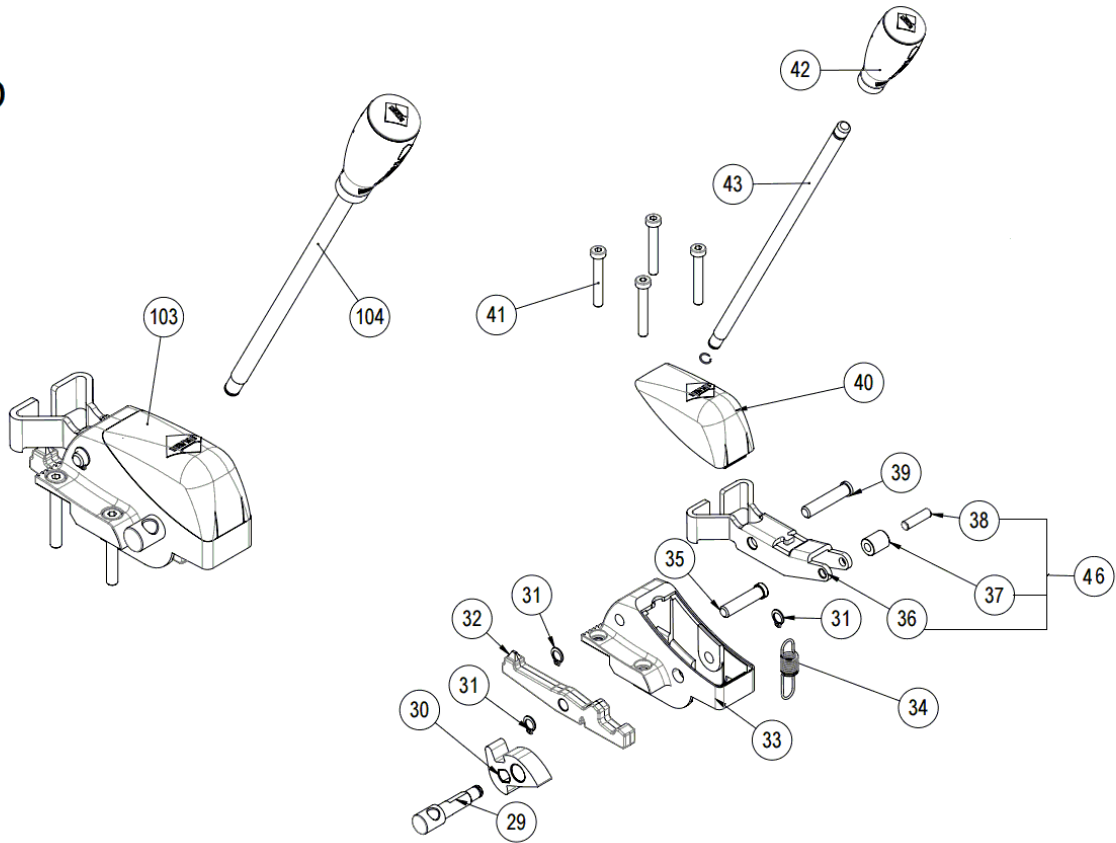


Part-list	ES	EN	Prod.
15	15181 2	SOPORTE TS-50/60 V3/NG	GUIDE SUPPORT TS-50/60 V3/BLK
16	15850 2	GUIA Ø 17 L=1064 CROMADA	CHROMING GUIDE Ø 17 L=1064 15932
16	15223 2	GUIA Ø 17 L=790 CROMADA	CHROMING GUIDE Ø 17 L=790 15930, 15931
17	16096 2	TOPE CORREDERA TS MAX	SLIDE TOP TS MAX
18	15136 2	TACO GOMA Ø 6X6	RUBBER STOPPER 6X6



Part-list		ES	EN	Prod.
19	15140	4	CASQ 17X21X12 SINTER.	BUSHING 17X21X12
20	15128	1	MUELLE FRENO PORTAHERRAM.	TOOLHOLDER BRAKE SPRING
21	15113	1	TACO DE NYLON Ø 5.5X 1.5 K-180	NYLON STOPFEN DIA.5.5X 1.5 K-180
22	17580	1	TORN DIN 913 M10X10X1,25 6.8	SCREW DIN 913 M10X10X1,25 6.8
23	15061	1	PORTAHERRAM.TS V3	TOOLHOLDER TS V3
24	15050	1	CORREDERA S/EJE TS-50/60 V2	SLIDER WO/AXLE TS-50/60 V2
25	15048	1	CORREDERA C/EJE TS-50/60 V2	SLIDER W/AXLE TS-50/60 V2
26	18361	1	MANGO RESTYLING TS/TR/TX V2	RESTYLING HANDLE TS/TR/TX V2
27	18316	1	ANILLO MANGO RESTYLING TS	RESTYLING HANDLE RING TS
28	18362	1	VARILLA MANGO RESTYLING TS V2	RESTYLING HANDLE BAR TS V2
101	18811	1	CJ.MANGO RESTYLING TS	RESTYLING HANDLE SET TS
102	15815	1	CJ.CORRED.PORTAHERRAM.TS-50/60 V2/R	TOOL-HOLDER TS-50/60/70 V2/R

D



Part-list	ES	EN	Prod.
29	7154 1	EJE LEVA SEPARADOR TS	AXLE CAM BREAKER TS
30	16093 1	LEVA COMANDO SEPARADOR TS MAX	BREAKER CAM TS MAX
31	7162 3	ANILLO DIN 471 Ø 8 ZN	CIRCLIP DIN 471 Ø 8 ZP
32	15220 1	PALANCA SUFRID.SEPARADOR TS MAX	LOWER LEVER SEPARATOR TS MAX
33	16263 1	CARCASA SEPARADOR PLUS V3	SEPARATOR CASE PLUS V3
34	7159 1	MUELLE PALANCA SEPARADOR "S"	S BREAKER INNER SPRING
35	7169 1	EJE PALANCA SUFRIDERA	AXLE SEPARATOR
36	16095 1	PALANCA PISON SEP.TS MAX	RAM LEVER SEPARATOR TS MAX
37	16226 1	CASQ 6X12X14,5 CABONITRURADO	BUSHING 6X12X14,5
38	16206 1	PASADOR CILINDRICO Ø 6 H7X22	CYLINDRICAL PIN Ø 6 H7X22
39	7158 1	EJE PALANCA PISON	PITCHER LEVER AXLE
40	16161 1	TAPA CARCASA SEPARADOR TF MAX	COVER CAP SEPARATOR TF MAX
41	15781 4	TORN DIN 7984 M6X40 6.8 ZN	SCREW DIN 7984 M6X40 6.8 ZP
42	18331 1	MANGO RESTYLING SEPARADOR TS	RESTYLING SEPARATOR HANDLE TS
43	18322 1	VARILLA MANGO RESTYLING SEPARADOR TS	RESTYLING SEPARATOR HANDLE BAR TS
46	15805 1	C.J.PALANCA PISON SEP.PLUS V2	TAMPER LEVER SET SEPARATOR PLUS V2
103	16834 1	C.J.SEPARADOR TF MAX	SEPARATOR SET TF MAX
104	18814 1	C.J.MANGO RESTYLING SEPARADOR TS	RESTYLING SEPARATOR HANDLE SET TS